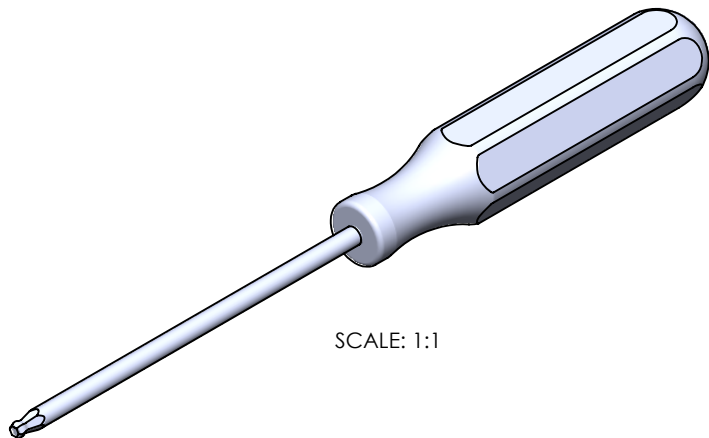
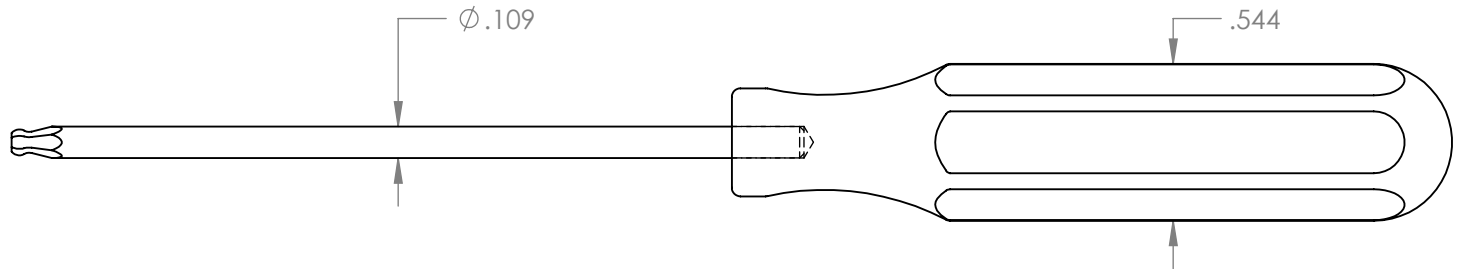


DETAIL A  
SCALE 8 : 1



SCALE: 1:1

UNLESS OTHERWISE SPECIFIED: DIMENSIONS ARE IN INCHES			TOLERANCES: X.XX= ±0.13 X.XXX= ±0.015 X.XXXX= -0.001		
DRAWN	NAME	SIGN	DATE		
APP'VD	A.T.		04.24.19		<b>5/64" BALL DRIVER with STAINLESS STEEL HANDLE</b>
MATERIAL: SHAFT: 465 MAGNETIC S.S. HANDLE: 316 NON-MAGNETIC S.S.					TITLE: PART NO. 21871
<i>THIS DRAWING IS THE PROPERTY OF STERITOOL, INC. ANY REPRODUCTIONS OR MODIFICATIONS OF THIS DRAWING OR ITS CONTENTS WITHOUT THE CONSENT OF STERITOOL, INC. IS PROHIBITED.</i>					SCALE: 1.5:1
					SHEET 1 OF 1
					REV: <b>A</b>